

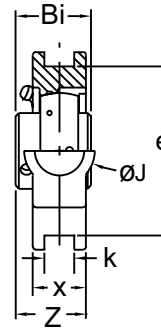
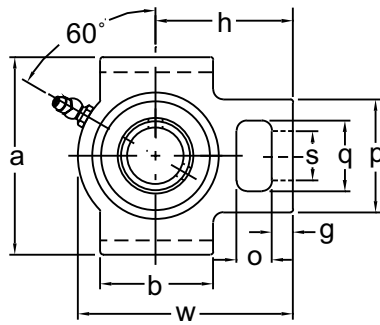


WIDE SLOT TAKE-UP UNITS

UCST 200

NORMAL DUTY

Set-Screw Locking
Wide Inner Ring
Cast Iron Housing
Insert Detail-pg.112
Covers Available-pg.59
Inch



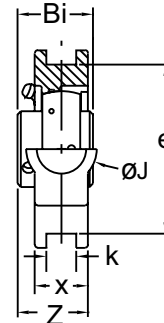
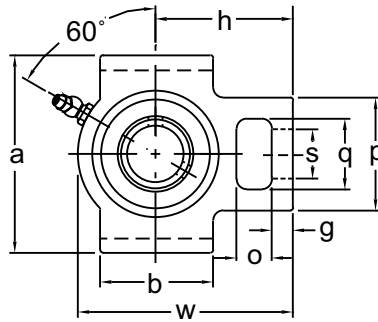
Shaft Diam. (in.)	AMI Unit #	List Price	Dimensions (in.)														Bearing #	Housing #	Weight (lb.)	
			o	g	p	q	s	b	k	e	a	w	J	x	h	Z				Bi
1/2	UCST201-8	54.15	5/8	3/8	2	1-1/4	3/4	2	17/32	3	3-1/2	3-11/16	1-1/4	15/16	2-3/8	1.658	1.220	UC201-8	ST204	1.85
5/8	UCST202-10																	UC202-10		
11/16	UCST203-11																	UC203-11		
3/4	UCST204-12																	UC204-12		
7/8	UCST205-14	59.20	5/8	3/8	2	1-1/4	7/8	2	17/32	3	3-1/2	3-13/16	1-1/4	15/16	2-7/16	1.245	1.339	UC205-14	ST205	1.76
15/16	UCST205-15																	UC205-15		
1	UCST205-16																	UC205-16		
1-1/16	UCST206-17	69.60	5/8	3/8	2-3/16	1-7/16	7/8	2-1/4	17/32	3-1/2	4	4-7/16	1-7/16	15/16	2-3/4	1.812	1.500	UC206-17	ST206	2.42
1-1/8	UCST206-18																	UC206-18		
1-3/16	UCST206-19																	UC206-19		
1-1/4	UCST206-20																	UC206-20		
1-1/4	UCST207-20	84.45	5/8	1/2	2-1/2	1-7/16	7/8	2-1/2	17/32	3-1/2	4	5-1/16	1-7/16	1-3/16	3-1/16	1.594	1.689	UC207-20	ST207	3.53
1-5/16	UCST207-21																	UC207-21		
1-3/8	UCST207-22																	UC207-22		
1-7/16	UCST207-23																	UC207-23		
1-1/2	UCST208-24	100.90	3/4	5/8	3-1/4	1-15/16	1-1/8	3-1/4	11/16	4	4-1/2	5-11/16	1-15/16	1-3/8	3-1/2	1.877	1.937	UC208-24	ST208	5.51
1-9/16	UCST208-25																	UC208-25		
1-5/8	UCST209-26	109.65	3/4	5/8	3-1/4	1-15/16	1-1/8	3-1/4	11/16	4	4-5/8	5-11/16	1-15/16	1-3/8	3-7/16	1.877	1.937	UC209-26	ST209	5.29
1-11/16	UCST209-27																	UC209-27		
1-3/4	UCST209-28																	UC209-28		
1-7/8	UCST210-30	130.90	3/4	5/8	3-1/4	1-15/16	1-1/8	3-3/8	11/16	4	4-5/8	5-7/8	1-15/16	1-3/8	3-9/16	1.971	2.031	UC210-30	ST210	5.29
1-15/16	UCST210-31																	UC210-31		
2	UCST210-32																	UC210-32		
2	UCST211-32	163.50	1	3/4	4	2-1/2	1-3/8	3-3/4	1-1/16	5-1/8	5-3/4	6-3/4	2-1/2	1-5/8	4-3/16	2.128	2.189	UC211-32	ST211	9.04
2-1/8	UCST211-34																	UC211-34		
2-3/16	UCST211-35																	UC211-35		
2-1/4	UCST212-36	219.90	1-1/4	3/4	4	2-1/2	1-3/8	4	1-1/16	5-1/8	5-3/4	7-5/8	2-1/2	1-13/16	4-11/16	2.469	2.563	UC212-36	ST212	11.02
2-3/8	UCST212-38																	UC212-38		
2-7/16	UCST212-39																	UC212-39		
2-1/2	UCST213-40	283.90	1-1/4	13/16	4-3/8	2-3/4	1-5/8	4-3/4	1-1/16	5-15/16	6-9/16	8-13/16	2-3/4	2	5-3/8	2.563	2.563	UC213-40	ST213	15.43
2-11/16	UCST214-43	488.00	1-1/4	13/16	4-3/8	2-3/4	1-5/8	4-3/4	1-1/16	5-15/16	6-9/16	8-13/16	2-3/4	2	5-3/8	2.748	2.937	UC214-43	ST214	16.50
2-3/4	UCST214-44																	UC214-44		

Lubrication fitting tap size for 1" and smaller shaft sizes, 1/4-28 UNF; for all other sizes, 1/8-27 NPT

INTERCHANGES: VTWS WSTU YTU TH3U-N WSTU250W RTUEY TC-25 TYB-TF ST



NORMAL DUTY



Set-Screw Locking
Wide Inner Ring
Cast Iron Housing
Insert Detail-pg.113
Covers Available-pg.60
Metric

Shaft Diam. (mm)	AMI Unit #	List Price	Dimensions (mm)															Bearing #	Housing #	Weight (lb.)
			o	g	p	q	s	b	k	e	a	w	J	x	h	Z	Bi			
12	UCT201	54.15	16	10	51	32	19	51	12	76	89	94	32	21	61	28.8	31	UC201	T204	1.76
15	UCT202																	UC202		1.72
17	UCT203																	UC203		1.69
20	UCT204																	UC204		1.65
25	UCT205	59.20	16	10	51	32	19	51	12	76	89	97	32	24	62	31.7	34	UC205	T205	1.83
30	UCT206	69.60	16	10	56	37	22	57	12	89	102	113	37	28	70	36.2	38.1	UC206	T206	2.90
35	UCT207	84.45	16	13	64	37	22	64	12	89	102	129	37	30	78	40.4	42.9	UC207	T207	3.57
40	UCT208	100.90	19	16	83	49	29	83	16	102	114	144	49	33	88	46.7	49.2	UC208	T208	5.35
45	UCT209	109.65	19	16	83	49	29	83	16	102	117	144	49	35	87	47.7	49.2	UC209	T209	5.35
50	UCT210	130.90	19	16	83	49	29	86	16	102	117	149	49	37	90	51.1	51.6	UC210	T210	5.58
55	UCT211	163.50	25	19	102	64	35	95	22	130	146	171	64	38	106	52.4	55.6	UC211	T211	8.92
60	UCT212	219.90	32	19	102	64	35	102	22	130	146	194	64	42	119	60.7	65.1	UC212	T212	11.4
65	UCT213	283.90	32	21	111	70	41	121	26	151	167	224	70	44	137	61.7	65.1	UC213	T213	15.6
70	UCT214	375.00	32	21	111	70	41	121	26	151	167	224	70	46	137	67.4	74.6	UC214	T214	15.8
75	UCT215	415.50	32	21	111	70	41	121	26	151	167	232	70	48	140	68.5	77.8	UC215	T215	16.7
80	UCT216	478.00	32	21	111	70	41	121	26	165	184	235	70	51	140	74.8	82.6	UC216	T216	19.0
85	UCT217	573.30	38	29	124	73	48	157	30	173	198	260	73	54	162	78.6	85.7	UC217	T217	25.0

Lubrication fitting tap size for 25mm and smaller shaft sizes, 1/4-28 UNF; for all other sizes, 1/8-27 NPT

INTERCHANGES: UCT

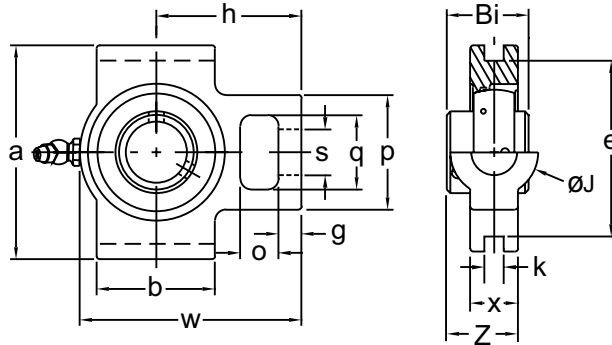


NARROW SLOT TAKE-UP UNITS

UCNST 200

NORMAL DUTY

**Set-Screw Locking
Wide Inner Ring
Cast Iron Housing
Insert Detail-pg.112
Inch**



Hub City® Style

Shaft Diam. (in.)	AMI Unit #	List Price	Dimensions (in.)														Bearing #	Housing #	Weight (lb.)	
			o	g	p	q	s	b	k	e	a	w	J	x	h	Bi				Z
1/2	UCNST201-8	54.15	5/8	3/8	1-7/8	1-7/32	3/4	1-3/4	5/16	3	3-1/2	3-35/64	1-7/16	25/32	2-3/8	1.220	1.111	UC201-8	NST204	1.85
5/8	UCNST202-10																	UC202-10		
11/16	UCNST203-11																	UC203-11		
3/4	UCNST204-12																	UC204-12		
7/8	UCNST205-14	59.20	5/8	3/8	1-7/8	1-7/32	3/4	1-15/16	5/16	3	3-1/2	3-5/8	1-7/16	25/32	2-3/8	1.339	1.167	UC205-14	NST205	1.76
15/16	UCNST205-15																	UC205-15		
1	UCNST205-16																	UC205-16		
1-1/16	UCNST206-17																	UC206-17		
1-1/8	UCNST206-18	69.60	3/4	1/2	2-1/8	1-11/32	7/8	2-3/8	5/16	3-1/2	4	4-1/4	1-19/32	7/8	2-25/32	1.500	1.312	UC206-18	NST206	2.42
1-3/16	UCNST206-19																	UC206-19		
1-1/4	UCNST206-20																	UC206-20		
1-1/4	UCNST207-20																	UC207-20		
1-5/16	UCNST207-21	84.45	3/4	1/2	2-1/8	1-11/32	7/8	2-5/8	5/16	3-1/2	4	4-5/8	1-19/32	29/32	2-15/16	1.689	1.453	UC207-21	NST207	3.53
1-3/8	UCNST207-22																	UC207-22		
1-7/16	UCNST207-23																	UC207-23		
1-1/2	UCNST208-24																	UC208-24		
1-9/16	UCNST208-25	100.90	3/4	5/8	2-5/8	1-37/64	1-1/8	2-15/16	5/16	4	4-1/2	5-1/8	1-13/16	31/32	3-1/4	1.937	1.673	UC208-24	NST208	5.51
1-5/8	UCNST209-26																	UC209-26		
1-11/16	UCNST209-27																	UC209-27		
1-3/4	UCNST209-28																	UC209-28		
1-7/8	UCNST210-30	130.90	3/4	5/8	2-5/8	1-37/64	1-1/8	3-5/16	5/16	4	4-1/2	5-11/16	1-13/16	1-1/16	3-9/16	2.031	1.814	UC210-30	NST210	5.29
1-15/16	UCNST210-31																	UC210-31		
2	UCNST210-32																	UC210-32		
2	UCNST211-32																	UC211-32		
2-1/8	UCNST211-34	163.50	1	3/4	3-1/4	1-15/16	1-3/8	3-11/16	5/16	5-1/8	5-3/4	6-15/32	2-1/8	1-1/8	4-1/8	2.189	1.878	UC211-34	NST211	9.04
2-3/16	UCNST211-35																	UC211-35		
2-1/4	UCNST212-36																	UC212-36		
2-3/8	UCNST212-38																	UC212-38		
2-7/16	UCNST212-39	219.90	1	3/4	3-1/4	1-15/16	1-3/8	4-1/16	5/16	5-1/8	5-3/4	7	2-1/8	1-3/16	4-7/16	2.563	2.157	UC212-39	NST212	11.02

Lubrication fitting tap size for 1" and smaller shaft sizes, 1/4-28 UNF; for all other sizes, 1/8-27 NPT

INTERCHANGES: UCTRS TU250W